

Hall Effect AC/DC Current Sensor CYHCS-E5

This Hall Effect current sensor is based on open loop principle and can be used for measurement of AC/DC currents.

Product Characteristics	Applications
<ul style="list-style-type: none">• Excellent accuracy• Very good linearity• Small size• Light in weight• Less power consumption• Window structure• Electrically isolating the output of the transducer from the current carrying conductor• No insertion loss• Current overload capability	<ul style="list-style-type: none">• Frequency conversion timing equipments• Various power supply• Uninterruptible power supplies (UPS)• Electric welding machines• Transformer substation• Numerical controlled machine tools• Electrolyzing and electroplating equipments• Electric powered locomotive• Microcomputer monitoring• Electric power network monitoring

Electrical Data

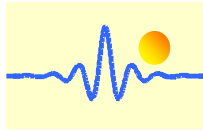
Measuring range M	200A	300A	400A	500A	600A	700A	800A
Linearity range	400A	510A	600A	650A	720A	840A	900A
Overload capacity	20 x M (measuring range)						
Nominal output signals	0-4V, 0-5V, 0-10V, 0-20mA, 4-20mA,						
Supply voltage	+12VDC, +15VDC, +24VDC, \pm 12VDC, \pm 15VDC						
Current consumption	25mA ~ 50mA + output current						
Galvanic isolation	3KV RMS/50Hz/min						

Accuracy and Dynamic Performances

Zero offset voltage	\pm 20	mV
Hysteresis error	\pm 10	mV
Thermal drift of offset current	\leq 250	ppm/ $^{\circ}$ C
Response time	\leq 15 (di/dt=50A/ μ s)	μ s
Accuracy	\pm 1.0	%
Linearity	\leq 1.0	%FS

General Data

Operating temperature	-10 ~ +80	$^{\circ}$ C
Storage temperature	-25 ~ +85	$^{\circ}$ C



Definition of Part number:

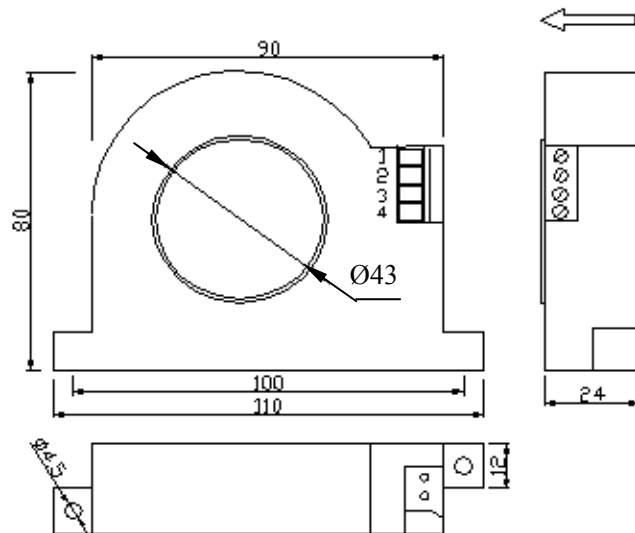
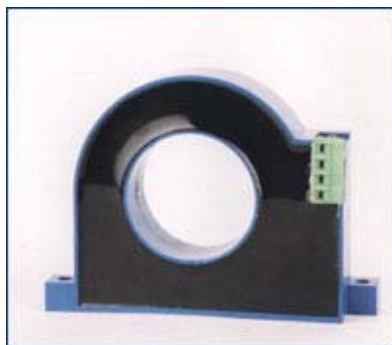
CYHCS	-	E5	-	m	-	x	n
(1)		(2)		(3)		(4)	(5)

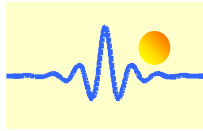
(1)	(2)	(3)	(4)	(5)
Series name	Case style	Rated Input current (m)	Output signal	Power supply
CYHCS	E5	m = 200A, 300A, 400A, 500A, 600A, 700A, 800A	x=0: 0-4V DC x=1: tracing voltage 5V x=2: tracing current 20mA x=3: 0-5V DC x=4: 0-20mA DC x=5: 4-20mA DC x=8: 0-10V DC	n=2: +12V DC n=3: +15V DC n=4: +24V DC n=5: ±12V DC n=6: ±15V DC

Example 1: CYHCS-E5-500A -34, Hall Effect AC Current sensor with
Output signal: 0-5V DC
Power supply: +24V DC
Rated input current: 0-500A AC

Example 2: CYHCS-E5-500A -45, Hall Effect AC Current sensor with
Output signal: 0-20mA DC
Power supply: ±12V DC
Rated input current: 0-500A AC

DIMENSIONS (mm)





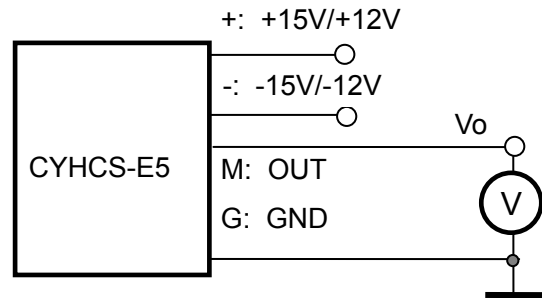
CONNECTION

The current carrying cable must pass through the window. The phase of output is the same as that of the current passing the window in the direction of the arrow indicated on the case.

a) Wiring of Sensors Using Double Power Supplies

Voltage Output

- 1(+): +15V/+12V Power Supply
- 2(-): -15V/-12V Power Supply
- 3(M): Output
- 4(G): Ground

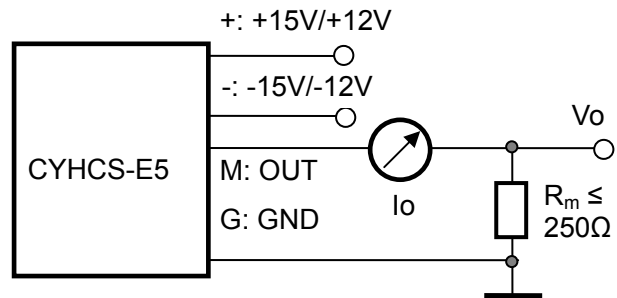


Relation between Input and Output:

Sensor CYHCS-E5-500A -35	
Input current (A)	Output voltage (V)
0	0
125	1.25
250	2.5
375	3.75
500	5

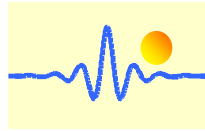
Current Output

- 1(+): +15V/+12V Power Supply
- 2(-): -15V/-12V Power Supply
- 3(M): Output
- 4(G): Ground



Relation between Input and Output (for $R_m=250\ \Omega$):

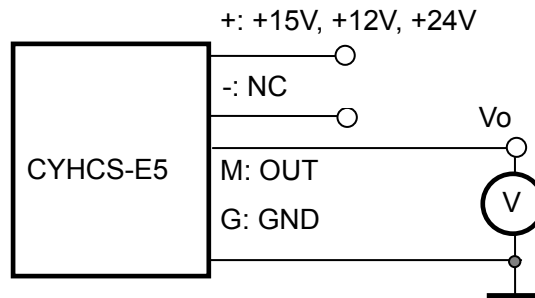
Sensor CYHCS-E5-500A -45		
Input current (A)	Output current I_o (mA)	Output voltage V_o (V)
0	0	0
125	5	1.25
250	10	2.5
375	15	3.75
500	20	5



B) Wiring of Sensors Using Single Power Supply

Voltage Output

1(+): +15V, +12V, +24V
2(-): NC
3(M): Output
4(G): Ground

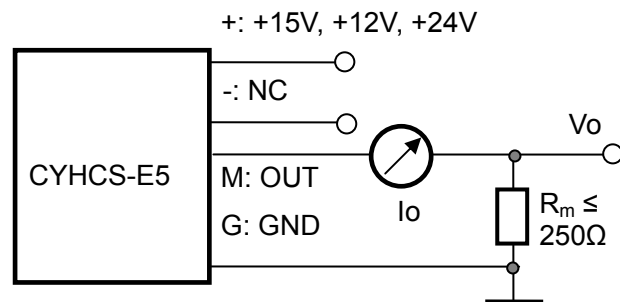


Relation between Input and Output:

Sensor CYHCS-E5-500A -34	
Input current (A)	Output voltage (V)
0	0
125	1.25
250	2.5
375	3.75
500	5

Current Output

1(+): +15V, +12V, +24V
2(-): NC
3(M): Output
4(G): Ground



Relation between Input and Output (for $R_m=250 \Omega$):

Sensor CYHCS-E5-500A -54		
Input current (A)	Output current I_o (mA)	Output voltage V_o (V)
0	4	1
125	8	2
250	12	3
375	16	4
500	20	5

Notes:

1. Connect the terminals of power source, outputs respectively and correctly, never make wrong connection.
2. Two potentiometers can be adjusted, only if necessary, by turning slowly to the required accuracy with a small screwdriver.
3. The best accuracy can be achieved when the window is fully filled with bus-bar (current carrying conductor).
4. The in-phase output can be obtained when the direction of current of current carrying conductor is the same as the direction of arrow marked on the transducer case.