



Closed Loop Precise Hall Current Sensor CYHCS-SH

This Hall Effect current sensor is based on closed loop compensating principle and can be used for measurement of DC and AC current, pulse currents etc. The output of the transducer reflects the real wave of the current carrying conductor.

Product Characteristics	Applications
<ul style="list-style-type: none">• Excellent accuracy• Very good linearity• Accuracy independent on the position of primary cable• Lager measuring range	<ul style="list-style-type: none">• General Purpose Inverters• AC/DC Variable Speed Drivers• Battery Supplied Applications• Uninterruptible Power Supplies• Switched Mode Power Supplies

ELECTRICAL DATA

Part number	CYHCS-SH1000A
Nominal input current	10A ~1000A
Measuring range	0-10A ~ 0-3000A
Turns ratio	1:5000
Measuring resistance	with $V_c = \pm 15V$, @ $\pm 1000A_{max}$, 0-30 Ω , @ $\pm 1500A_{max}$, 0-5 Ω , with $V_c = \pm 24V$, @ $\pm 1000A_{max}$, 0-68 Ω , @ $\pm 3000A_{max}$, 0-3 Ω ,
Supply voltage	$\pm 15VDC \sim \pm 24VDC$
Nominal output current	2mA $\pm 0.2\%$ ~ 200mA $\pm 0.2\%$
Accuracy at +25°C	0.2%FS
Current consumption	$\leq 28mA$ + Output current at $V_c = \pm 15V$
Galvanic isolation	50Hz, 1min, 6KV
Secondary internal resistance	$T_a = 25^\circ C$, 32 Ω

ACCURACY DYNAMIC PERFORMANCE

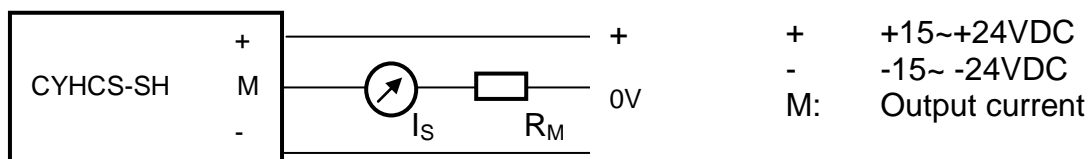
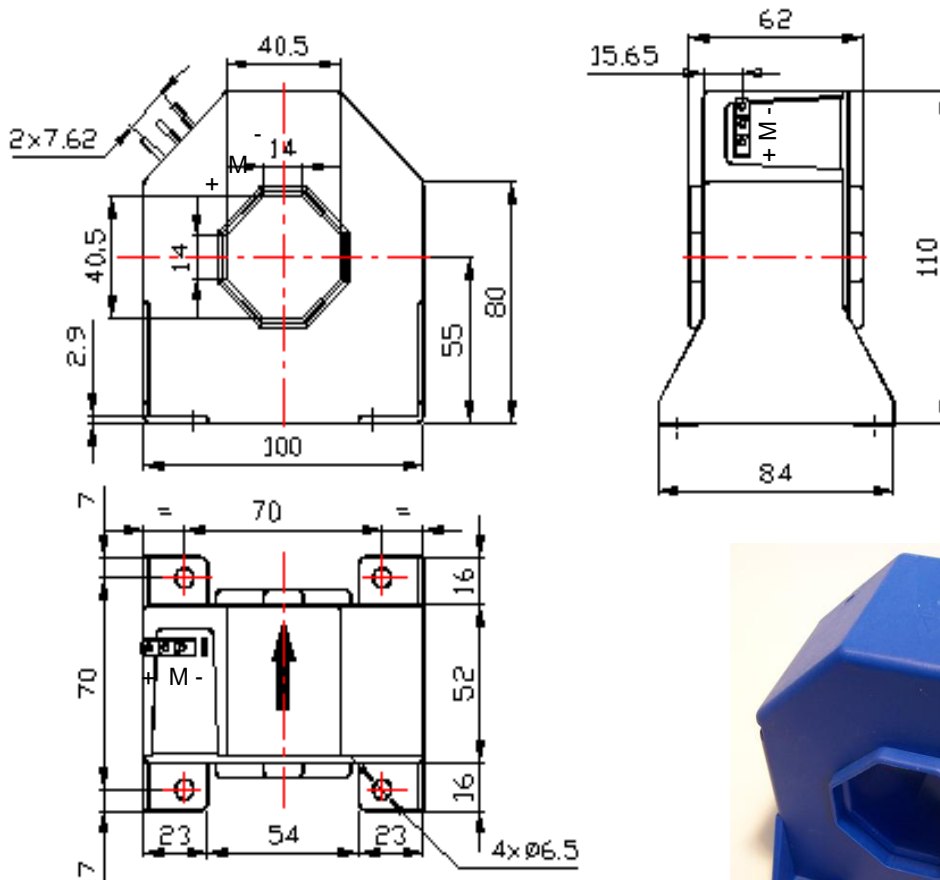
Zero offset current $T_a = 25^\circ C$	$< \pm 0.2mA$
Magnetic Offset current $I_P \rightarrow 0$	$< \pm 0.2mA$
Thermal drift of offset current	$I_P = 0$, $T_a = -40^\circ C \sim +85^\circ C$, $\pm 0.5mA$
Response time	$< 1\mu s$
Linearity	$\leq 0.1\%FS$
Accuracy	$\pm 0.2\%$ for rated current 10A ~1000A
Bandwidth(-3dB)	DC... 150kHz
di/dt	$> 100A/\mu s$

GENERAL DATA

Operating temperature	$-40^\circ C \sim +85^\circ C$
Storage temperature	$-40^\circ C \sim +125^\circ C$



Dimensions (mm)



Operating instructions

1. Connect the terminals of power source, outputs respectively and correctly, never make wrong connection for DC current.
2. Temperature of the primary conductor should not exceed 100 °C.
3. Dynamic performances (di/dt and the response time) are the best with a single bar completely filling the primary hole.
4. In order to achieve the best magnetic coupling, the primary windings have to be wound over the top edge of the device.