



Split Core Hall Effect DC Current Sensor CYHCT-LX05B

The sensor CYHCT-LX05B is a Split Core Hall Effect Sensor for the measurement of DC current. The sensor has a galvanic isolation between the high power primary and the secondary electronic circuits with voltage output.

Features and Advantages	Applications
<ul style="list-style-type: none"> • DC current measurement • Output signal option (4-20mA, 0-5V, $\pm 5V$) • High isolation between primary and secondary circuits • No insertion losses • Split Core, easy installation • Temperature compensation 	<ul style="list-style-type: none"> • Battery banks, such as, monitoring load current and charge current, verifying operation • Transportation, measuring traction power or auxiliary loads • Phase fired controlled heaters • Directly connect to PLC • Sense motor stalls and short circuits • Industrial instrumentation

Specifications

Rated input current	300A	400A	500A	600A	700A	800A
Linear measuring range	0~360A	0~480A	0~600A	0~720A	0~840A	0~960A
Overload current capability	20 times of rated input current, 5sec					
Output signals	$\pm 5VDC$, 0-5VDC, 0-10VDC, 0-20mADC, 4-20mADC					
Power supply (voltage Ripple)	+12V DC, +24V DC, $\pm 12V$ DC, $\pm 15V$ DC (5%)					
Measuring accuracy	$\pm 1.0\%$					
Linearity (10% - 100%), 25°C	$\leq \pm 0.5\%$ FS					
Zero offset voltage	$\pm 25mV$					
Thermal drift of offset voltage	$\leq \pm 0.04\%/^{\circ}C$					
Galvanic isolation	6 kV, 50Hz, 1min					
Isolation resistance	$\geq 100M\Omega$					
Response time	$\leq 20\mu s$ for tracing output $\pm 5VDC$, $\leq 100ms$ 0-5VDC, $\leq 150ms$ 4-20mADC					
di/dt following accuracy	50A/ μs					
Current consumption	$\leq 50mA$					
Output load	Voltage output : $\geq 2k\Omega$, Current output: $\leq 250\Omega$					
Case style and Window size	LX05B , $\Phi 38mm$					
Operating temperature	$-25^{\circ}C \sim +70^{\circ}C$					
Storage temperature	$-45^{\circ}C \sim +85^{\circ}C$					
Relative humidity	$\leq 90\%$					
MTBF	$> 50000h$					
Unit weight	230g					

Definition of Part number:

CYHCT	-	LX05B	-	M	-	x	n
-------	---	-------	---	---	---	---	---

(1) (2) (3) (4) (5)



(1)	(2)	(3)	(4)	(5)
Series name	Case style	Rated Input current (M=U/Bm)	Output signal	Power supply
CYHCT	LX05B	m = 300A, 400A, 500A, 600A, 700A, 800A	x=1: tracing voltage $\pm 5V$ DC x=3: 0-5V DC x=4: 0-20mA DC x=5: 4-20mA DC x=8: 0-10V DC	n=2: +12V DC n=4: +24V DC n=5: $\pm 12V$ DC n=6: $\pm 15V$ DC

U: unidirectional;

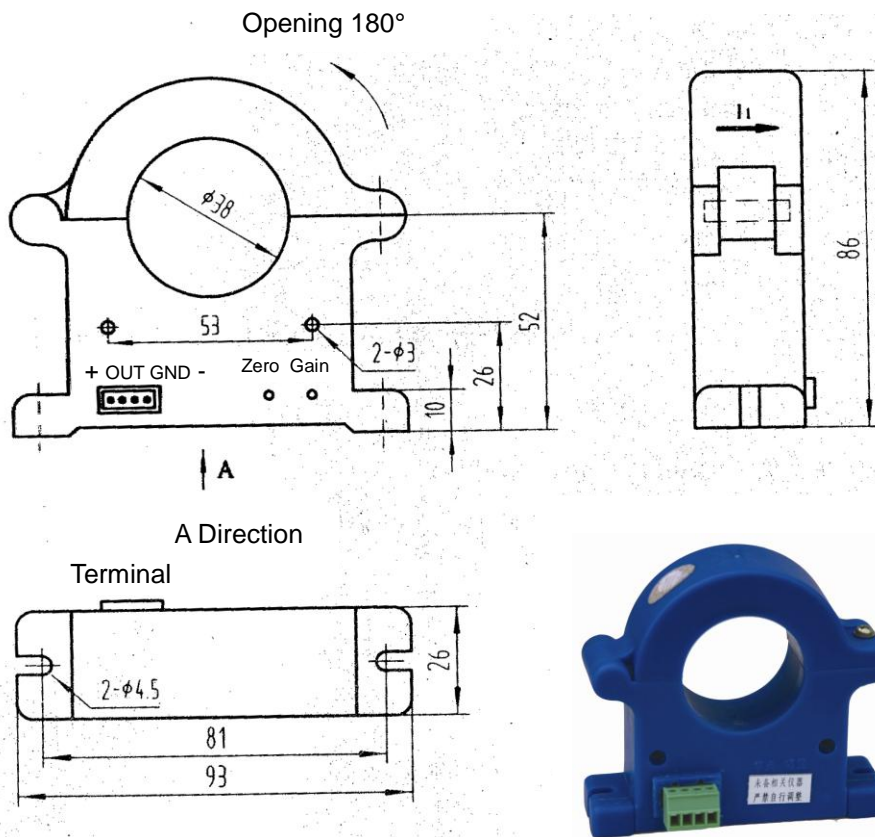
B: bidirectional

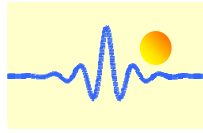
Example 1: CYHCT-LX05B-B400A -15, Hall Effect DC Current sensor with
Output signal: tracing voltage $\pm 5V$ DC
Power supply: $\pm 12V$ DC
Rated input current: $\pm 400A$ DC

Example 2: CYHCT-LX05B-B400A -14, Hall Effect DC Current sensor with
Output signal: tracing voltage $\pm 5V$ DC
Power supply: +24V DC
Rated input current: $\pm 400A$ DC

Example 3: CYHCT-LX05B-U400A -54, Hall Effect DC Current sensor with
Output signal: 4-20mA DC
Power supply: +24V DC
Rated input current: 0-400A DC

DIMENSIONS (mm)





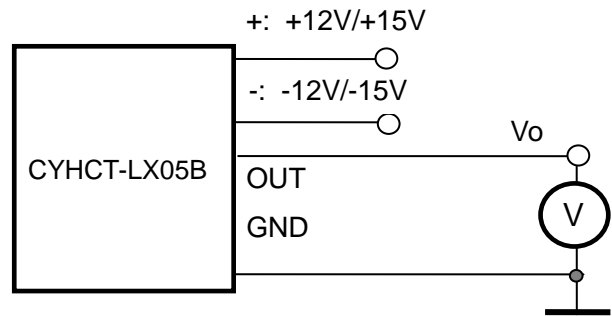
CONNECTIONS

The current carrying cable must pass through the window. The phase of output is the same as that of the current passing the window in the direction of the arrow indicated on the case.

a) Wiring of Sensors Using Double Power Supplies

Voltage Output

+: +15V/+12V
OUT: Output
GND: Ground
-: -15V/-12V

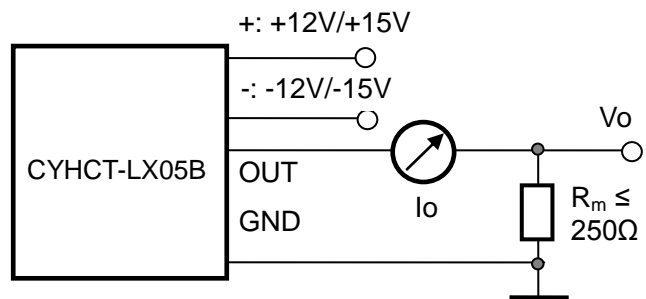


Relation between Input and Output:

Sensor CYHCT-LX05B-B400A-15	
Input current (A)	Output voltage (V)
-400	-5
-200	-2.5
0	0
200	2.5
400	5

Current Output

+: +12V/+15V
OUT: Output
GND: Ground
-: -12V/-15V



Relation between Input and Output (for $R_m=250 \Omega$):

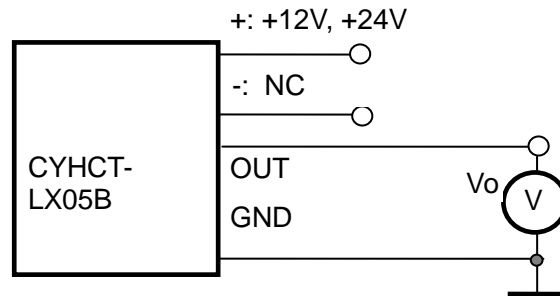
Sensor CYHCT-LX05B-U400A-55		
Input current (A)	Output current I_o (mA, DC)	Output voltage V_o (V, DC)
0	4	1
100	8	2
200	12	3
300	16	4
400	20	5



B) Wiring of Sensors Using Single Power Supply

Voltage Output

+: +12V, +24V
 OUT: Output
 GND: Ground
 -: NC

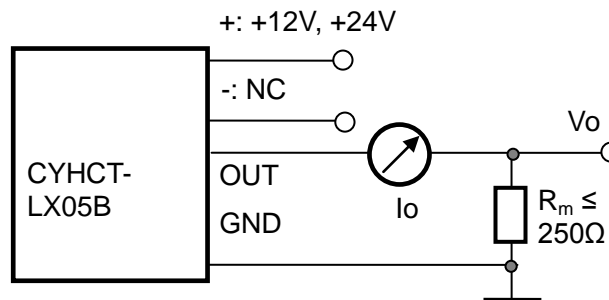


Relation between Input and Output:

Sensor CYHCT-LX05B-B400A-14	
Input current (A)	Output voltage (V)
-400	-5
-200	-2.5
0	0
200	2.5
400	5

Current Output

+) : +12V, +24V
 OUT: Output
 GND: Ground
 -: NC



Relation between Input and Output (for $R_m=250 \Omega$):

Sensor CYHCT-LX05B-U400A-54		
Input current (A)	Output current I_o (mA, DC)	Output voltage V_o (V, DC)
0	4	1
100	8	2
200	12	3
300	16	4
400	20	5

Notes:

1. Connect the terminals of power source, outputs respectively and correctly, never make wrong connection.
2. Two potentiometers can be adjusted, only if necessary, by turning slowly to the required accuracy with a small screwdriver.
3. The best accuracy can be achieved when the window is fully filled with bus-bar (current carrying conductor).
4. The in-phase output can be obtained when the direction of current of current carrying conductor is the same as the direction of arrow marked on the transducer case.